

Model	RDH for F40	Volt/Hz	Date of Modification	Serial Number
Modified Article	Parts Catalog			
Reason for Modification	Parts catalog correction			

Please correct your parts catalog as follows:

1. Page 9 Correction and deletion

(1) Correction

Incorrect P/N	Correct P/N	Description	Q'ty	Index No.
A4991311	A4991305	Original Entrance Guide	1	18

(2) Deletion

P/N	Description	Q'ty	Index No.
AA063155	Adjusting Spring	1	23

DETAILS OF MODIFICATION

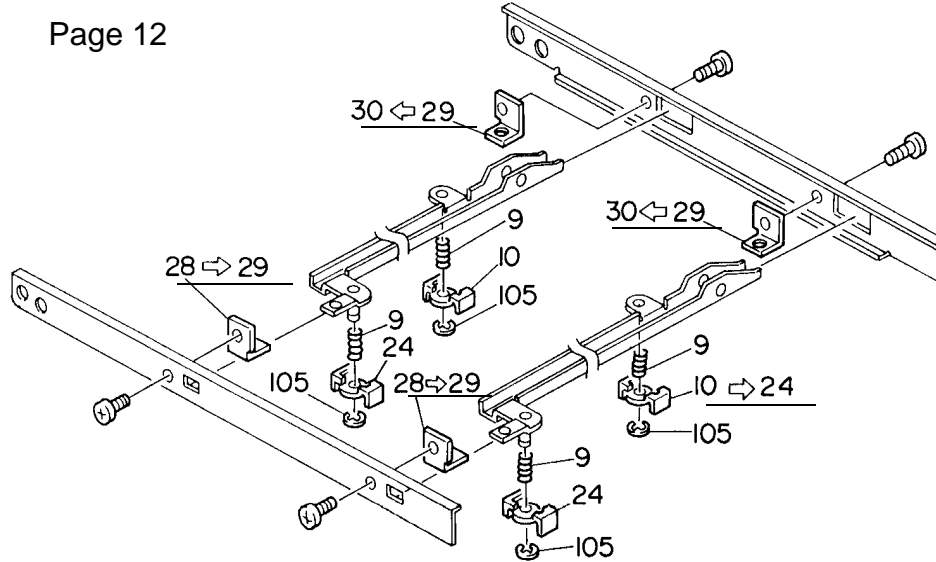
2. Page 13 Correction
(1)

Incorrect P/N	Correct P/N	Description	Q'ty	Index No.
A4991522	A4991520	Rear Frame - Transport Belt	1	16

(2) Index no. change in illustration

Page 12

Index No.	28 → 29
	29 → 30
	10 → 24



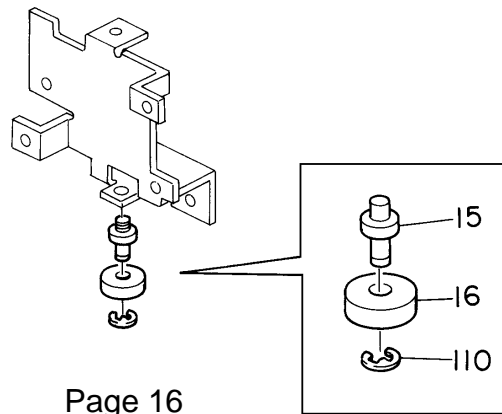
3. Page 17 Correction
(1)

	P/N	Description	Q'ty	Index No.
Incorrect	AA120031	Antistatic Brush	1	3
	A0285876	Original Stopper Solenoid	1	37
Correct	A4992222	Mylar Seal - Exit	1	3
	A4995451	Push Plate Solenoid	1	37

DETAILS OF MODIFICATION

(2)

	P/N	Description	Q'ty	Index No.
Incorrect	58861728	Collar - 6.1mm	1	15
	AA143286	Stepped Screw - M4	1	16
Correct	AA143282	Stud - M4	1	15
	A4992183	Locking Roller	1	16
	07200030E	Retaining Ring - M3	1	110



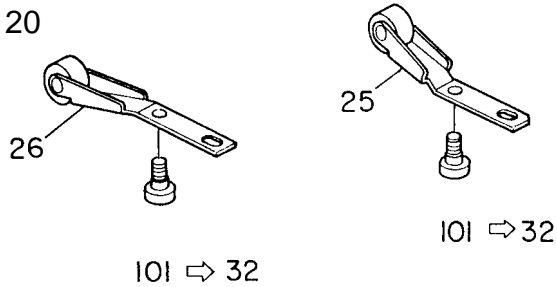
Page 16

DETAILS OF MODIFICATION

4. Page 19 Correction

	P/N	Description	Q'ty	Index No.
Incorrect	03140060W	Philips Pan Head Screw - M4 x 6	8	101
Correct	AA140358	Stepped Screw - M4 x 6	8	32

Page 20



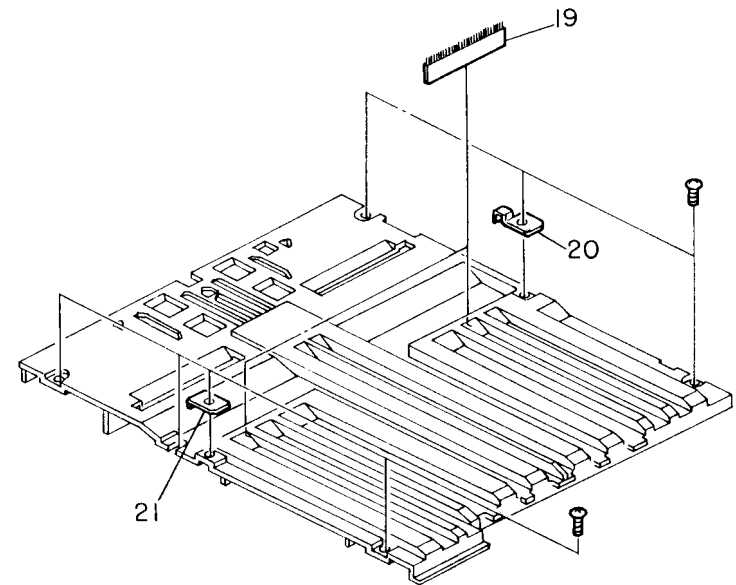
5. Page 21 Addition and deletion

(1) Addition

P/N	Description	Q'ty	Index No.
AA120045	Antistatic Brush	2	19
A4991278	Front Grounding Plate	1	21
A4991279	Rear Grounding Plate	1	20

(2) Deletion

P/N	Description	Q'ty	Index No.
54432712	Cork Pad	1	15



DETAILS OF MODIFICATION

6. Page 23 Correction and Addition
(1) Correction

	P/N	Description	Q'ty	Index No.
Incorrect	A4993131	Main Hinge	1	11
	A4971152	Magnet - APS	1	24
Correct	A4993171	Left Hinge	1	11
	A4993632	Magnet - APS	1	24

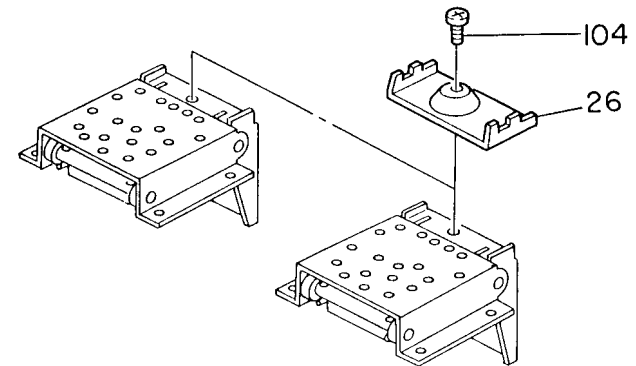
(2) Addition

P/N	Description	Q'ty	Index No.
A4994125	Hinge Stopper	2	*26

7. Page 25 Correction

	P/N	Description	Q'ty	Index No.
Incorrect	A4995705	Interface - Harness	1	26
Correct	A4995705	Interface Harness - 220/240V	1	26
	A4995715	Interface Harness - 115V	1	26

Page 22



DETAILS OF MODIFICATION

8. Page 31 Correction

	P/N	Description	Q'ty	Index No.
Incorrect	A4995705	Interface Harness	1	*
	11000051	Wire Terminal	2	101
Correct	A4995705	Inter Harness - 220/240V	1	*
	A4995715	Interface Harness - 115V	1	*
	11000504	Wire Terminal	2	101

T. Ito, Manager
 Copier Technical Support

MODEL NAME	V/Hz	DESTINATION	CODE	SERIAL NUMBER
P.B. D953	115/60	USA, Canada	A499 - 11	
SAVIN RDH for 9520	115/60	USA, Canada	A499 - 15	
NASHUA DH4050	115/60	S. America	A499 - 16	
RICOH DH200	115/60	USA, Canada	A499 - 17	
NASHUA DH4050	220, 240/50	Europe etc.	A499 - 25	
INFOTEC DH11	220, 240/50	Europe	A499 - 26	
RICOH DH200	220, 240/50	Europe etc.	A499 - 27	

Model	RDH for F40	Volt/Hz	Date of Modification	Serial Number
Modified Article	Separation belt and transport belt			
Reason for Modification	As per field request			

As per field request the separation belt and transport belt will be supplied as a set.

Old P/N	New P/N	Description	Q'ty	Interchangeability	Index No.	Page
A4991121		Separation Belt	3	O/	33	9
	A4999500	Separation Belt - 3 pcs/set	1	/O	33	9
A4992431		Transport Belt - Right Table	4	O/	10	21
	A4999501	Transport Belt - Right Table - 4pcs/set	1	/O	10	21

T. Ito, Manager
Copier Technical Support

MODEL NAME	V/Hz	DESTINATION	CODE	SERIAL NUMBER
P.B. D953	115/60	USA, Canada	A499 - 11	/
SAVIN RDH for 9520	115/60	USA, Canada	A499 - 15	
NASHUA DH4050	115/60	S. America	A499 - 16	
RICOH DH200	115/60	USA, Canada	A499 - 17	
NASHUA DH4050	220, 240/50	Europe etc.	A499 - 25	
INFOTEC DH11	220, 240/50	Europe	A499 - 26	
RICOH DH200	220, 240/50	Europe etc.	A499 - 27	

Model	RDH for F40	Volt/Hz	Date of Modification	Serial Number
Modified Article	Parts Catalog			
Reason for Modification	Parts catalog correction			

Please correct your parts catalog as follows:

1. Page 5 Correction

	P/N	Descriron	Q'ty	Index No.
Incorrect	A4993606	Seal	1	10
Correct	A4996015	Decal - Exit - LT (Ricoh)	1	10
	A4996016	Decal - Exit - A4 (Ricoh)	1	10
	A4996041	Decal - Exit - LT (P.B.)	1	10
	A4996042	Decal - Exit - LT (SVN)	1	10
	A4996043	Decal - Exit - LT (NSA)	1	10
	A4996044	Decal - Exit - A4 (NSA)	1	10
	A4996045	Decal - Exit - A4 (INFOTEC)	1	10

DETAILS OF MODIFICATION

2. Page 7 Correction

	P/N	Description	Index No.
Incorrect	06320120E	Spring Pin - 2 x 12mm	104
	06320160E	Spring Pin - M2 x 16	105
Correct	06320110E	Spring Pin - 2 x 10mm	104
	06320140E	Spring Pin - 2 x 14mm	105

3. Page 9 Correction

	P/N	Description	Index No.
Incorrect	06320100E	Spring Pin - M2 x 10	106
Correct	06320080E	Spring Pin - 2 x 8mm	106

4. Page 13 Correction

	P/N	Description	Index No.
Incorrect	06320120E	Spring Pin - 2 x 12mm	103
Correct	06320100E	Spring Pin - 2 x 10mm	103

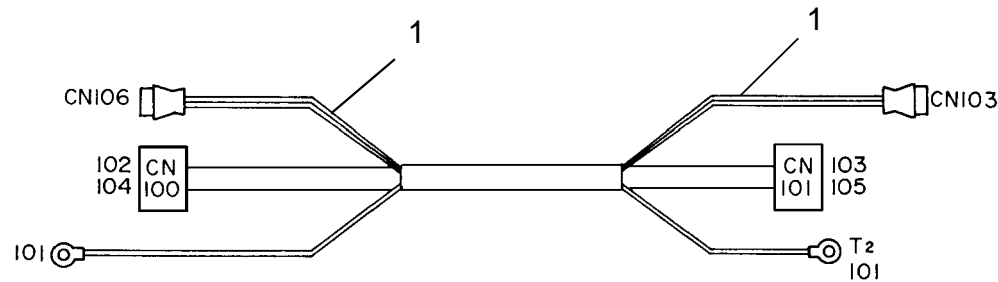
DETAILS OF MODIFICATION

5. Page 25 Correction

	P/N	Description	Index
Incorrect	09574008W	Screw - M5 x 8	115
Correct	09574008W	Screw - M4 x 8	115

6. Page 30 Addition

Index No. add to the illustration



T. Ito, Manager
Copier Technical Support

MODEL NAME	V/Hz	DESTINATION	CODE	SERIAL NUMBER
P.B. D953	115/60	USA, Canada	A499 - 11	
SAVIN RDH for 9520	115/60	USA, Canada	A499 - 15	
NASHUA DH4050	115/60	S. America	A499 - 16	
RICOH DH200	115/60	USA, Canada	A499 - 17	
NASHUA DH4050	220, 240/50	Europe etc.	A499 - 25	
INFOTEC DH11	220, 240/50	Europe	A499 - 26	
RICOH DH200	220, 240/50	Europe etc.	A499 - 27	

Model	RDH for F40	Volt/Hz	Date of Modification	Serial Number
Modified Article	Parts Catalog			
Reason for Modification	Parts Catalog Correction			

Please correct your parts catalog as follows:

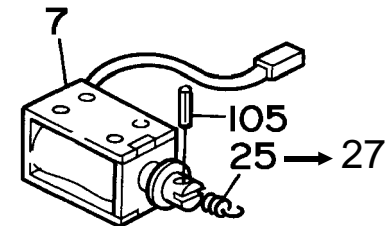
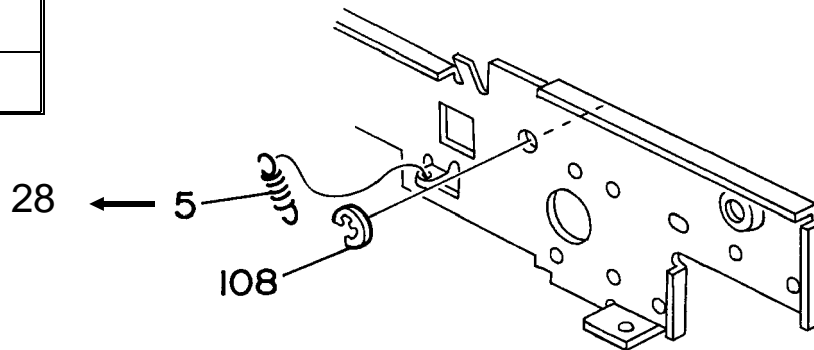
Page 15

1. Correction and addition

	P/N	Description	Q'ty	Index No.
Incorrect	AA060280	Spring - Inverter Guide	2	5
Correct	AA060280	Spring - Inverter Guide	1	5
	AA060343	Spring - Front Inverter Guide	1	28

2. Index No. Correction in illustration

Index No.	5 → 28
	25 → 27



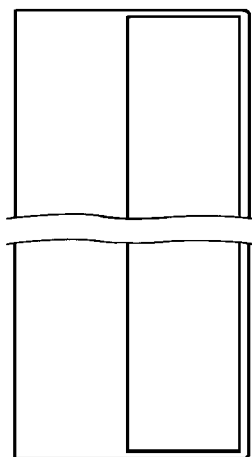
T. Ito, Manager
Copier Technical Support

MODEL NAME	V/Hz	DESTINATION	CODE	SERIAL NUMBER
P.B. D953	115/60	USA, Canada	A499 - 11	
SAVIN RDH for 9520	115/60	USA, Canada	A499 - 15	
NASHUA DH4050	115/60	S. America	A499 - 16	
RICOH DH200	115/60	USA, Canada	A499 - 17	
NASHUA DH4050	220, 240/50	Europe etc.	A499 - 25	
INFOTEC DH11	220, 240/50	Europe	A499 - 26	
RICOH DH200	220, 240/50	Europe etc.	A499 - 27	

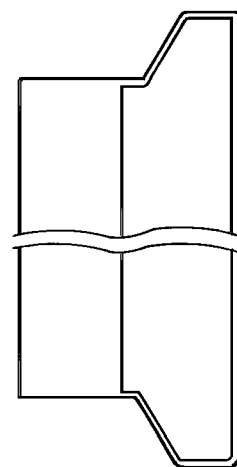
Model	RDH for F40	Volt/Hz	Date of Modification	Serial Number
Modified Article	Original Guide Mylar			
Reason for Modification	To prevent jams caused by curled originals			

To ensure that curled originals pass through the original exit, the original guide mylar has been redesigned.

Old P/N	New P/N	Description	Q'ty	Interchangeability	Index No.	Page
A4972024		Paper Guide Mylar	1	X/	8	11
	A4991712	Original Guide Mylar	1	/O	8	11



A4972024



A4991712



T. Ito, Manager
Copier Technical Support

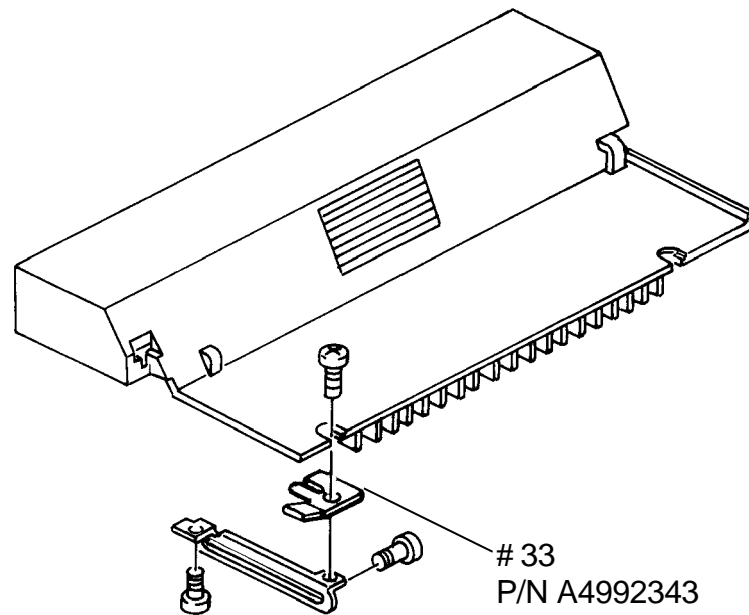
MODEL NAME	V/Hz	DESTINATION	CODE	SERIAL NUMBER
P.B. D953	115/60	USA, Canada	A499 - 11	_____
SAVIN RDH for 9520	115/60	USA, Canada	A499 - 15	378101XXXX
NASHUA DH4050	115/60	S. America	A499 - 16	_____
RICOH DH200	115/60	USA, Canada	A499 - 17	2741010001
NASHUA DH4050	220, 240/50	Europe etc.	A499 - 25	_____
INFOTEC DH11	220, 240/50	Europe	A499 - 26	3A30110001
RICOH DH200	220, 240/50	Europe etc.	A499 - 27	2741010161

Model		RDH for F40					Volt/Hz	Date of Modification	Serial Number	
Modified Article		Grounding Plate/Exit Sensor Seal/Decal Sheet								
Reason for Modification		1 To protect against electrical noise 2 To improve exit sensor sensitivity 3 Decal Sheet - Multilingual								
Draw No.	Old Parts No.	New Parts No.	Description	A.B.C.	Q'ty Used Old → New	Inter-change-ability	Part needed for replacement by new part		Parts Catalog	
				Rank			Part No.	Description	Index No.	Page
		A4992343	Grounding Plate		0 → 1				* 33	19
		A4992639	Exit Sensor Seal		0 → 1				* 34	19
		A4996078	Decal Sheet - Multi		—			INFOTEC	* 7	35
		A4996079	Decal Sheet - Multi		—			NASHUA	* 7	35
								* New Index		

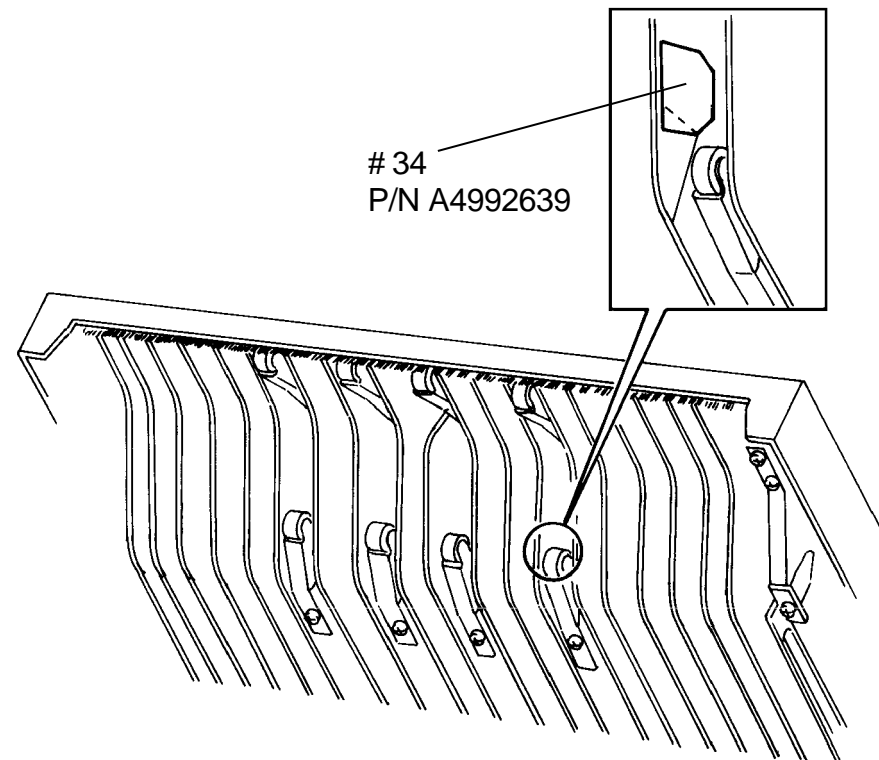
Rank: A : Replace with new parts immediately. B : Replace with new parts at time of repair. C : Replace with new parts at time of overhaul.
 Interchangeability:
 (1) When old and new parts are not mutually interchangeable, use additional parts or an assembly part as indicated in "Parts needed for replacement by new part" to install the new part.
 (2) The mark to the left of the slash indicates whether the old part can be used in the new machine, and the mark to the right indicates whether the new part can be used in the old machine. x = Not interchangeable o = Interchangeable

DETAILS OF MODIFICATION

1. Grounding Plate P/N A4992343
To prevent electrical noise caused by static electricity, the grounding plate has been added as shown below.



2. Exit Sensor Seal P/N A4992639
To improve the sensitivity of the exit sensor (photosensor) a black seal (Exit Sensor Seal) has been placed on the cover.



DETAILS OF MODIFICATION

3. Decal Sheet (OEM only) ---- Page 35
This multilingual decal sheet has been registered as a service part.

P/N A4996078 ----- INFOTEC
P/N A4996079 ----- NASHUA

7

Fransais	Deutsch	Espanol	Italiano
<p>84 Extraction bouquage original</p> <p>Lever l'introduit ou de documents en haut du bouquage original. Fermer ensuite l'introduction de documents.</p> <p>Appuyer sur le bouton de relâche et ouvrir le sélecteur d'alimentation. Retirer l'original.</p> <p>Lever le capot de l'unité d'exécution des originaux et retirer l'original.</p> <p>Après avoir vidé le bouquage original, ouvrir et fermer l'introduction de documents afin d'annuler la condition bouquage.</p> <p>Remettre les originaux dans l'unité à partir de la première page et les remettre dans l'introduction de documents. Appuyer ensuite sur la touche Départ.</p>	<p>84 Originalstaubeseitigung</p> <p>Originalen auf dem Originaltray einlegen.</p> <p>Originaltray freisetzen und Freigabehebel öffnen. Original auslegen.</p> <p>Ablenken der Originalen vom Originaltray und Originaltray heben.</p> <p>Nach dem Originalstaubeseitigen durch Öffnen und Schließen zurücksetzen.</p> <p>Originalen in den Originaltray einlegen. Originalen abgeben und auf dem Originaltray liegen lassen.</p>	<p>84 Recogida de los originales mal alimentados</p> <p>Llevar el documento de original y retirarlo al original mal alimentado. Ejecutar el reinicio.</p> <p>Presionar el botón de liberación y abrir la sección de alimentación. Sacar el original mal alimentado.</p> <p>Llevar la boca de la unidad de alimentación de originales y sacar el original mal alimentado.</p> <p>Después de haber retirado el original mal alimentado, abrir y cerrar el alimentador de originales para el resultado.</p> <p>Volver a colocar los originales desde la primera página y colocarlos en el alimentador de originales. Pulsar la tecla de comando.</p>	<p>84 Rimozione originali inceppati</p> <p>Sbloccare l'alimentatore di originali e rimuovere eventuali fogli inceppati. Chiudere l'alimentatore.</p> <p>Premere il pulsante di sblocco e aprire la sezione di alimentazione. Estrarre eventuali originali inceppati.</p> <p>Sbloccare il coperchio dell'alimentatore di originali e estrarre originali inceppati.</p> <p>Dopo la rimozione dei fogli, aprire e chiudere l'alimentatore di originali.</p> <p>Reinserire gli originali nell'unità di partenza e collocarli nell'alimentatore di originali. Premere Start.</p>
<p>Face imprimée dessus</p>	<p>Mit der Schriftseite nach oben</p>	<p>Boca arriba</p>	<p>Faccia in su</p>
<p>Posizionamento degli originali</p> <p>Regolare la guida a la lingua de l'original.</p> <p>Presser les originaux, leur à reproduire sur le dessus dans le système de document.</p> <p>Fare pressione l'unità d'esecuzione come les originaux.</p>	<p>Originale anlegen</p> <p>Originalen auf das Originaltray anlegen.</p> <p>Originalen mit der Originaltray einlegen. Seite nach oben auf Originaltray legen.</p> <p>Originalen einlegen bis an der Originaltray einlegen.</p>	<p>Colocando los originales</p> <p>Apilar los papeles a la longitud del original.</p> <p>Coloque los originales sobre el PCB.</p> <p>Empuje la unidad de alimentación hacia los originales.</p>	<p>Posizionamento originali</p> <p>Regolare la guida alla lunghezza degli originali.</p> <p>Posizionare gli originali a faccia in su, sul PCB.</p> <p>Fare pressione l'unità di alimentazione verso i fogli sovrapposti agli originali.</p>

T. Ito, Manager
Copier Technical Support

MODEL NAME	V/Hz	DESTINATION	CODE	SERIAL NUMBER
P.B. D953	115/60	USA, Canada	A499 - 11	_____
SAVIN RDH for 9520	115/60	USA, Canada	A499 - 15	378101XXXX
NASHUA DH4050	115/60	S. America	A499 - 16	_____
RICOH DH200	115/60	USA, Canada	A499 - 17	2741010001
NASHUA DH4050	220, 240/50	Europe etc.	A499 - 25	_____
INFOTEC DH11	220, 240/50	Europe	A499 - 26	3A30110001
RICOH DH200	220, 240/50	Europe etc.	A499 - 27	2741010161

Model	RDH for F40	Volt/Hz	Date of Modification	Serial Number
Modified Article	Main Board			
Reason for Modification	To improve reliability of motor speed adjustment			

To improve reliability of motor speed adjustment, the resistor (R142) P/N 16100088 has been replaced with a new resistor P/N 16100615 that has lower resistance.

Old P/N	New P/N	Description	Q'ty Used Old New	Interchangeability	Index No.	Page
16100088		Resistor - 82K Ω 1/8W \pm 5%	2 \rightarrow 1	X/	186	27
	16100615	Resistor - 75K Ω 1/8W \pm 5%	0 \rightarrow 1	/O	192	27

SYMBOL NO.	INDEX NO.
R 132	177
R 133	177
R 134	177
R 135	177
R 136	173
R 137	173
R 138	177
R 139	178
R 141	176
R 142	186

192

T. Ito, Manager
Copier Technical Support

MODEL NAME	V/Hz	DESTINATION	CODE	SERIAL NUMBER
P.B. D953	115/60	USA, Canada	A499 - 11	_____
SAVIN RDH for 9520	115/60	USA, Canada	A499 - 15	378101XXXX
NASHUA DH4050	115/60	S. America	A499 - 16	_____
RICOH DH200	115/60	USA, Canada	A499 - 17	2740120341
NASHUA DH4050	220, 240/50	Europe etc.	A499 - 25	_____
INFOTEC DH11	220, 240/50	Europe	A499 - 26	3A30110001
RICOH DH200	220, 240/50	Europe etc.	A499 - 27	2741010161

Model	RDH for F-40	Volt/Hz	Date of Modification	Serial Number
Modified Article	Software			
Reason for Modification	To improve reliability			

When punched hole original is used as a original, the RDH sometimes selecting improper paper size selection. To prevent that mulfunctionive operation, control softwear has been reprogramed.

The interchangeability is X/O

Page	Index	Old P/N	New P/N	Description
27	*	A4995601	A4995605	Main Board
27	1	A4995350	A4995655	IC-HCTL-3

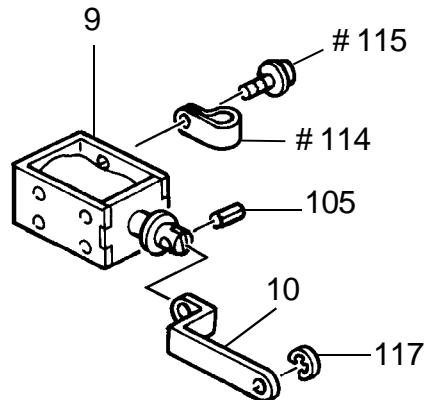
T. Ito, Manager
Copier Technical Support

MODEL NAME	V/Hz	DESTINATION	CODE	SERIAL NUMBER
P.B. D953	115/60	USA, Canada	A499 - 11	_____
SAVIN RDH for 9520	115/60	USA, Canada	A499 - 15	3781020227
NASHUA DH4050	115/60	S. America	A499 - 16	_____
RICOH DH200	115/60	USA, Canada	A499 - 17	2740120341
NASHUA DH4050	220, 240/50	Europe etc.	A499 - 25	_____
INFOTEC DH11	220, 240/50	Europe	A499 - 26	3A30110001
RICOH DH200	220, 240/50	Europe etc.	A499 - 27	2741010161

Model	RDH for F-40	Volt/Hz	Date of Modification	Serial Number
Modified Article	Additional nylon clip			
Reason for Modification	1) To secure the original feed motor harness on the solenoid.			

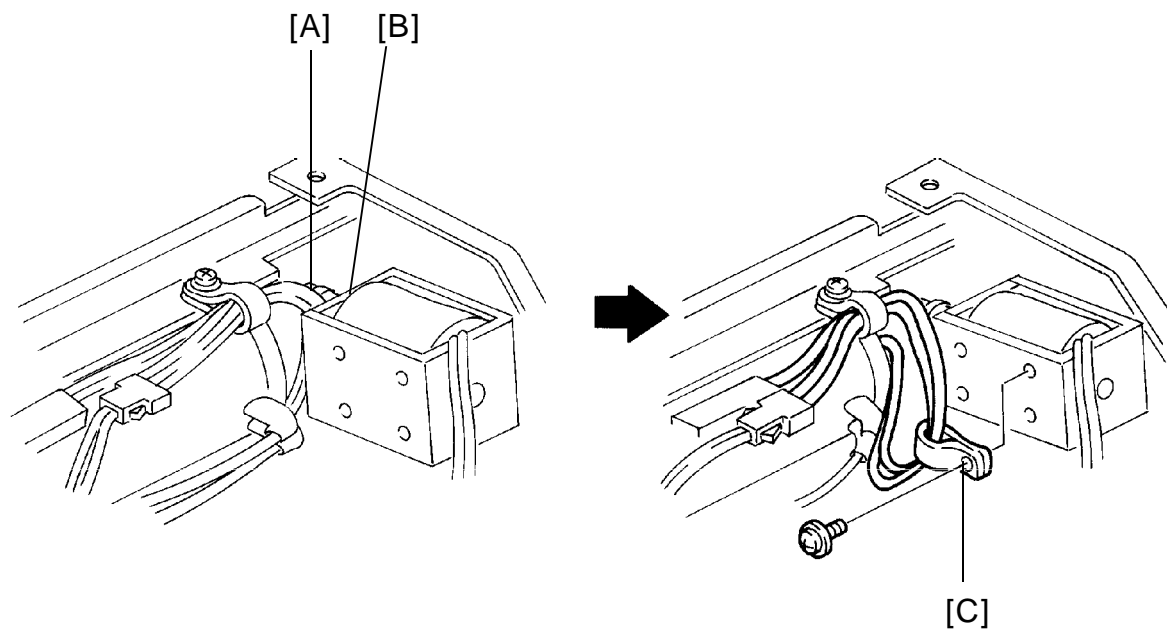
New P/N	Description	Q'ty Used Old → New	Parts Catalog	
			Index No.	Page
11050008	Nylon Clip - 2N	0 → 1	# 114	9
09513005W	Philips Screw With Flat Washer - M3 x 5	0 → 1	# 115	9

: New Index No.



DETAILS OF MODIFICATION

1) There is a possibility that the paper feed motor harness (yellow) [A] is caught in the original stopper solenoid plunger [B]. To avoid that possibility, the Nylon Clip-2N [C] is added on the solenoid to hold the harness.



T. Ito, Manager
Copier Technical Support

MODEL NAME	V/Hz	DESTINATION	CODE	SERIAL NUMBER
P.B. D953	115/60	USA, Canada	A499 - 11	
SAVIN RDH for 9520	115/60	USA, Canada	A499 - 15	3781020227
NASHUA DH4050	115/60	S. America	A499 - 16	
RICOH DH200	115/60	USA, Canada	A499 - 17	2740120341
NASHUA DH4050	220, 240/50	Europe etc.	A499 - 25	
INFOTEC DH11	220, 240/50	Europe	A499 - 26	3A30110001
RICOH DH200	220, 240/50	Europe etc.	A499 - 27	2741010161

Model	RDH for F-40	Volt/Hz	Date of Modification	Serial Number
Modified Article	Decal			
Reason for Modification	To meet a request from SAVIN			

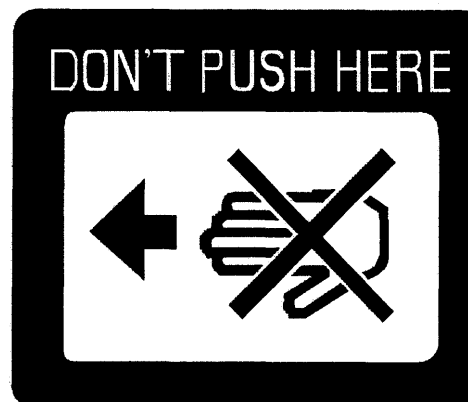
DETAILS OF MODIFICATION

SAVIN has pointed a potential problem:

If the operator uses the sliding cover to move the original feed-out unit, he or she may inadvertently derail the cover.

To guard against this , this decal is added:

New Part Number	Description	Index Number	Page
A4996101	Decal - Cover - Slide	35	20-



T. Ito, Manager
Copier Technical Support

MODEL NAME	V/Hz	DESTINATION	CODE	SERIAL NUMBER
P.B. D950	115/60	USA, Canada	A499 - 11	
SAVIN RDH for 9520	115/60	USA, Canada	A499 -15	3781040335
NASHUA DH4050	115/60	S. America	A499 16	
RICOH DH200	115/60	USA, Canada	A499 17	
NASHUA DH4050	220, 240/50	Europe etc.	A499 25	
INFOTEC DH11	220, 240/50	Europe	A499 26	
RICOH DH200	220, 240/50	Europe etc.	A499 27	

Model		RDH for F40					Volt/Hz	Date of Modification	Serial Number	
Modified Article		Original Table								
Reason for Modification		To enable original side to side registration adjustment								
Draw No.	Old Parts No.	New Parts No.	Description	A.B.C.	Q'ty Used Old → New	Inter-changeability	Part needed for replacement by new part		Parts Catalog	
				Rank			Part No.	Description	Index No.	Page
	A4991231	A4991401	Original Table - Paper Feed - RIC		1 → 1	X/X			3	21
	A4991233	A4991403	Original Table - Paper Feed - SAVIN		1 → 1	X/X			3	21
	A4991234	A4991404	Original Table - Paper Feed - NSA		1 → 1	X/X			3	21
	A4991235	A4991405	Original Table - Paper Feed - KALLE		1 → 1	X/X			3	21
		A4991247	Side Fence Guide Bracket		0 → 1			X/O as a set	*22	21
	A4991251	A4991471	Front Side Fence - RIC		1 → 1	X/O			1	21
	A4991253	A4991473	Front Side Fence - SAVIN		1 → 1	X/O			1	21
	A4991254	A4991474	Front Side Fence - NSA		1 → 1	X/O			1	21
	A4991255	A4991475	Front Side Fence - KALLE		1 → 1	X/O			1	21

Rank: A : Replace with new parts immediately. B : Replace with new parts at time of repair. C : Replace with new parts at time of overhaul.
 Interchangeability:
 (1) When old and new parts are not mutually interchangeable, use additional parts or an assembly part as indicated in "Parts needed for replacement by new part" to install the new part.
 (2) The mark to the left of the slash indicates whether the old part can be used in the new machine, and the mark to the right indicates whether the new part can be used in the old machine. x = Not interchangeable o = Interchangeable

Draw No.	Old Parts No.	New Parts No.	Description	A.B.C.	Q'ty Used Old → New	Inter-changeability	Part needed for replacement by new part		Parts Catalog	
				Rank			Part No.	Description	Index No.	Page
	A4991261	A4991481	Rear Side Fence - RIC		1 → 1	X/O			2	21
	A4991263	A4991483	Rear Side Fence - SAVIN		1 → 1	X/O			2	21
	A4991264	A4991484	Rear Side Fence - NSA		1 → 1	X/O			2	21
	A4991265	A4991485	Rear Side Fence - KALLE		1 → 1	X/O			2	21
	A4991238	A4991268	Side Fence Guide Rail		1 → 1	X/O			17	21

* New Index Number

T. Ito, Manager
Copier Technical Support

DETAIL OF MODIFICATION

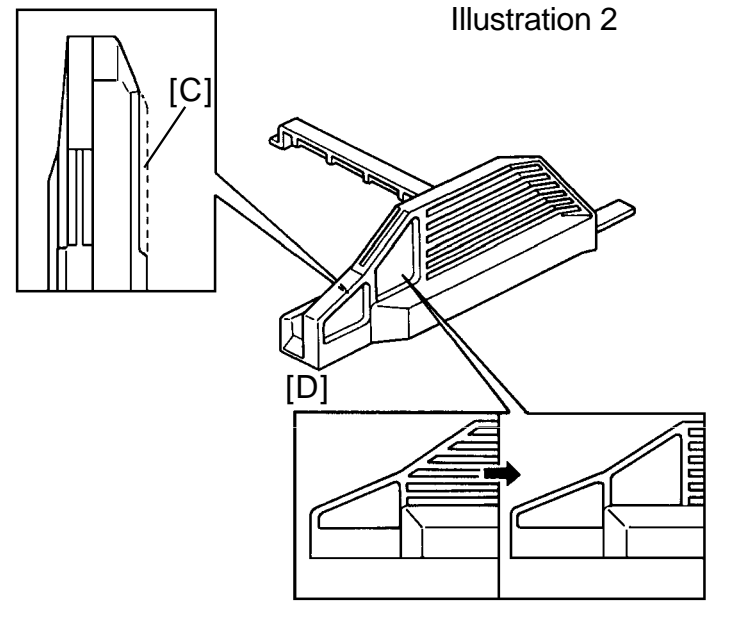
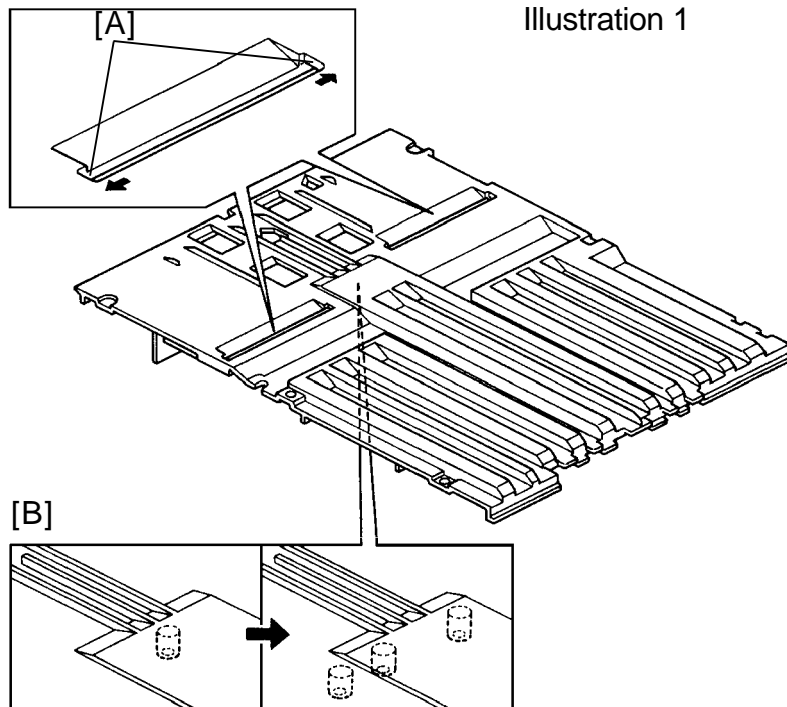
Following five items are modified to enable original side to side registration adjustment.

1. Original Table - Paper Feed

- Side fence rail cut outs [A] have been enlarged.
- Screw holes [B] have been added and moved.

2. Front Side Fence

- Part of the side fence paper rail [C] has been removed.
- A part of the front side fence [D] has been made thinner.

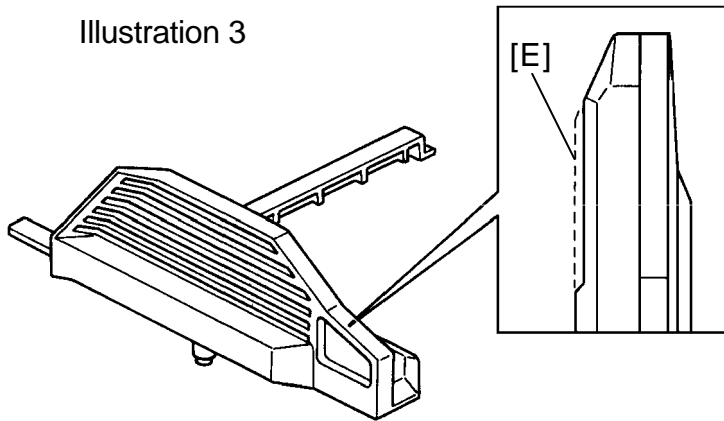


DETAIL OF MODIFICATION

3. Rear Side Fence

- Part of the side fence paper rail [E] has been removed.

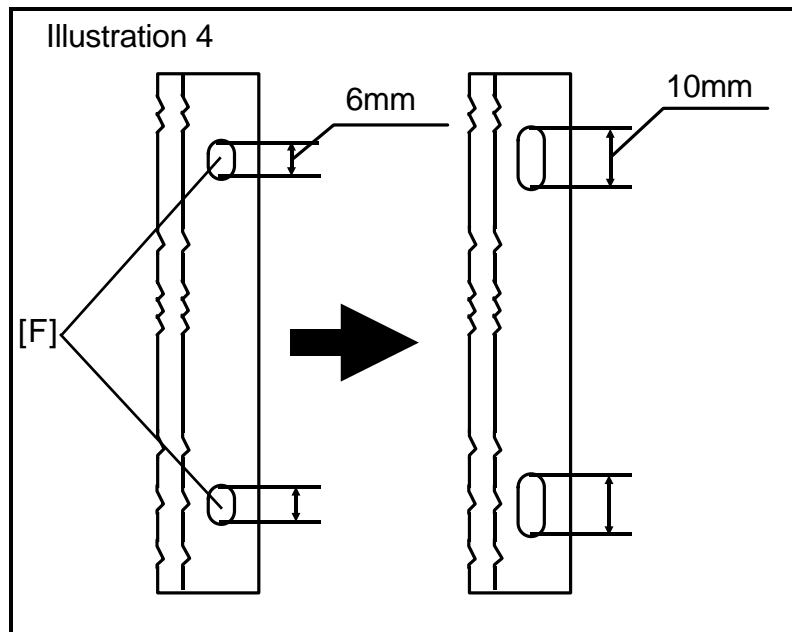
Illustration 3



4. Side Fence Guide Rail

- Two holes [F] on the side fence guide rail have been enlarged.

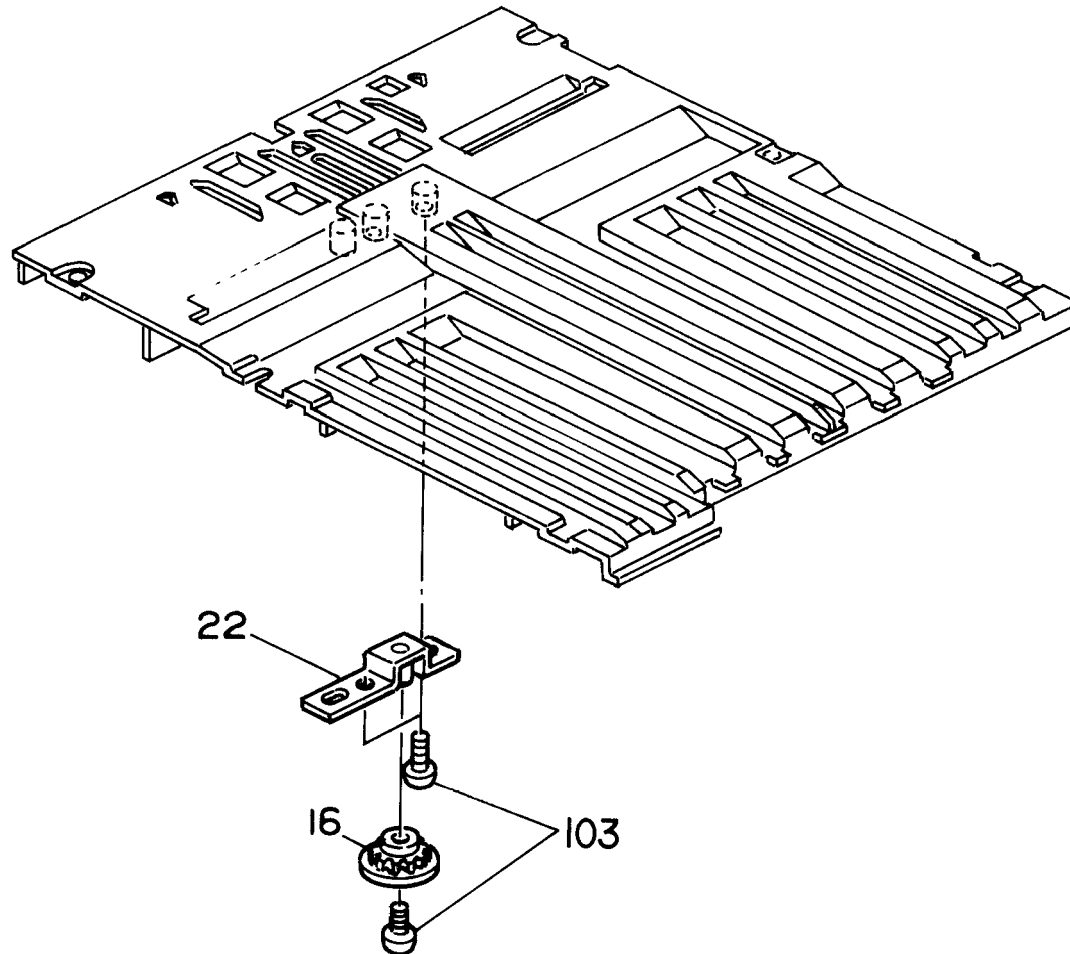
Illustration 4



DETAIL OF MODIFICATION

5. Side Fence Guide Bracket

- The part (P/N A4991247, Index No. *22) is newly added.



MODEL NAME	V/Hz	DESTINATION	CODE	SERIAL NUMBER
SAVIN RDH for 9520	115/60	USA, Canada	A499 - 15	3781040335
NASHUA DH4050	115/60	S. America	A499 - 16	From 1st production
RICOH DH200	115/60	USA, Canada	A499 - 17	2740140001
NASHUA DH4050	220, 240/50	Europe etc.	A499 - 25	From 1st production
INFOTEC DH11	220, 240/50	Europe	A499 - 26	3A30410001
RICOH DH200	220, 240/50	Europe etc.	A499 - 27	2741040251

Model	RDH for F40	Volt/Hz	Date of Modification	Serial Number
Modified Article	Software			
Reason for Modification	To improve RDH operation			

If more than 64 original sheets are set, the RDH will not be able to count the originals properly. (NOTE 1)

As the result:

1. The front side of copy will be blank when the " 1 side to 2 sided copy " mode is selected.
2. The jam auto-recovery will not operate, even if a jam occurs.

To prevent these occurrence, all copy operations stop when the RDH counts 64 original sheets.

Old P/N	New P/N	Description	Q'ty Used Old → New	Interchangeability	Index No.	Page
A4995605	A4995611	Main Board	1 → 1	X/O	*	27
A4995655	A4995657	ROM - Main Control	1 → 1	X/O	1	27

NOTE1: The recommended number of originals is maximum 50 sheets. See the operating instructions.

T. Ito, Manager
Copier Technical Support

MODEL NAME	V/Hz	DESTINATION	CODE	SERIAL NUMBER
P.B. D953	115/60	USA, Canada	A499 - 11	
SAVIN RDH for 9520	115/60	USA, Canada	A499 - 15	3781050380
NASHUA DH4050	115/60	S. America	A499 - 16	
RICOH DH200	115/60	USA, Canada	A499 - 17	2741050001
NASHUA DH4050	220, 240/50	Europe etc.	A499 - 25	
INFOTEC DH11	220, 240/50	Europe	A499 - 26	3A30510001
RICOH DH200	220, 240/50	Europe etc.	A499 - 27	2741050111

Model	RDH for F40 (Ricoh only)	Volt/Hz	Date of Modification	Serial Number
Modified Article	Exterior			
Reason for Modification	Changing the color for the side guides			

The color for the side guides has been changed to match the extrior cover.

Old Part No.	New Part No.	Description	Q'ty	Interchangeability	Index No.	Page
A4991471	A4991476	Front Side Guide	1 → 1	X/X	1	21
A4991481	A4991486	Rear Side Guide	1 → 1	X/X	2	21

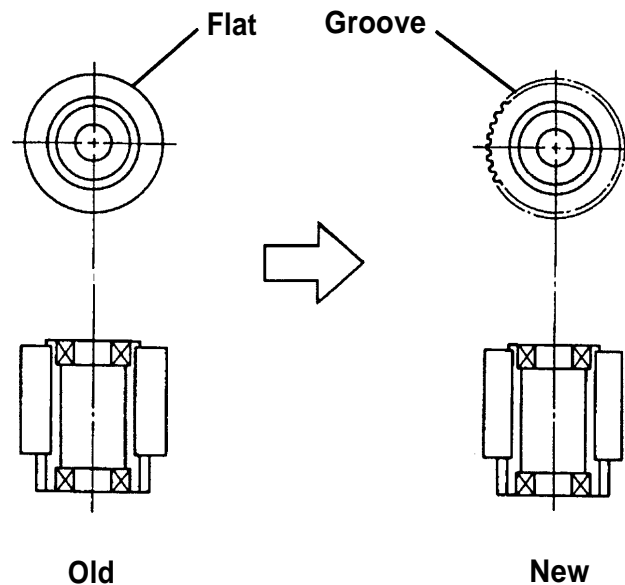
T. Ito, Manager
Copier Technical Support

MODEL NAME	V/Hz	DESTINATION	CODE	SERIAL NUMBER
P.B. D953	115/60	USA, Canada	A499 - 11	
SAVIN RDH for 9520	115/60	USA, Canada	A499 - 15	
NASHUA DH4050	115/60	S. America	A499 - 16	
RICOH DH200	115/60	USA, Canada	A499 - 17	2742020001
NASHUA DH4050	220, 240/50	Europe etc.	A499 - 25	
INFOTEC DH11	220, 240/50	Europe	A499 - 26	
RICOH DH200	220, 240/50	Europe etc.	A499 - 27	274203XXXX

Model	RDH for F40	Volt/Hz	Date of Modification	Serial Number
Modified Article	Original Feed Roller			
Reason for Modification	To ensure the original feeding			

To improve feeding of the original, the groove has been added on the original feed roller.

Old P/N	New P/N	Description	Q'ty	Interchangeability	Index No.	Page
A4991211	A4991213	Original Feed Roller	1 - 1	x/O	2	7



T. Ito, Manager
Copier Technical Support

MODEL NAME	V/Hz	DESTINATION	CODE	SERIAL NUMBER
P.B. D953	115/60	USA, Canada	A499 - 11	204XXXX
SAVIN RDH for 9520	115/60	USA, Canada	A499 - 15	378204XXXX
NASHUA DH4050	115/60	S. America	A499 - 16	233204XXXX
RICOH DH200	115/60	USA, Canada	A499 - 17	2742030001
NASHUA DH4050	220, 240/50	Europe etc.	A499 - 25	232204XXXX
INFOTEC DH11	220, 240/50	Europe	A499 - 26	3A30220001
RICOH DH200	220, 240/50	Europe etc.	A499 - 27	2742020001

Model		RDH for F40					Volt/Hz	Date of Modification	Serial Number	
Modified Article		Exit Guide Roller								
Reason for Modification		To prevent noise								
Draw No.	Old Parts No.	New Parts No.	Description	A.B.C.	Q'ty Used Old → New	Inter-changeability	Part needed for replacement by new part		Parts Catalog	
				Rank			Part No.	Description	Index No.	Page
	A4992301	A4992306	Slider Cover (Ricoh)		1 → 1	X / X			2	19
	A4992302	A4992307	Slider Cover (P.B)		1 → 1	X / X			2	19
	A4992303	A4992308	Slider Cover (SAVIN)		1 → 1	X / X			2	19
	A4992304	A4992309	Slider Cover (NRG)		1 → 1	X / X			2	19
	A4992305	A4992310	Slider Cover (infotec)		1 → 1	X / X		X / O as a set	2	19
	A4992326	A4992328	Exit Guide Roller - Left		4 → 4	X / X			26	19
	A4992321	A4992323	Exit Guide Roller -Right		4 → 4	X / X			25	19
	AA140358		Stepped Screw - M4X6		8 → 0	X / X			32	19
		03140060W	Philips Pan Head Screw - M4X6		0 → 8	X / X			101	19

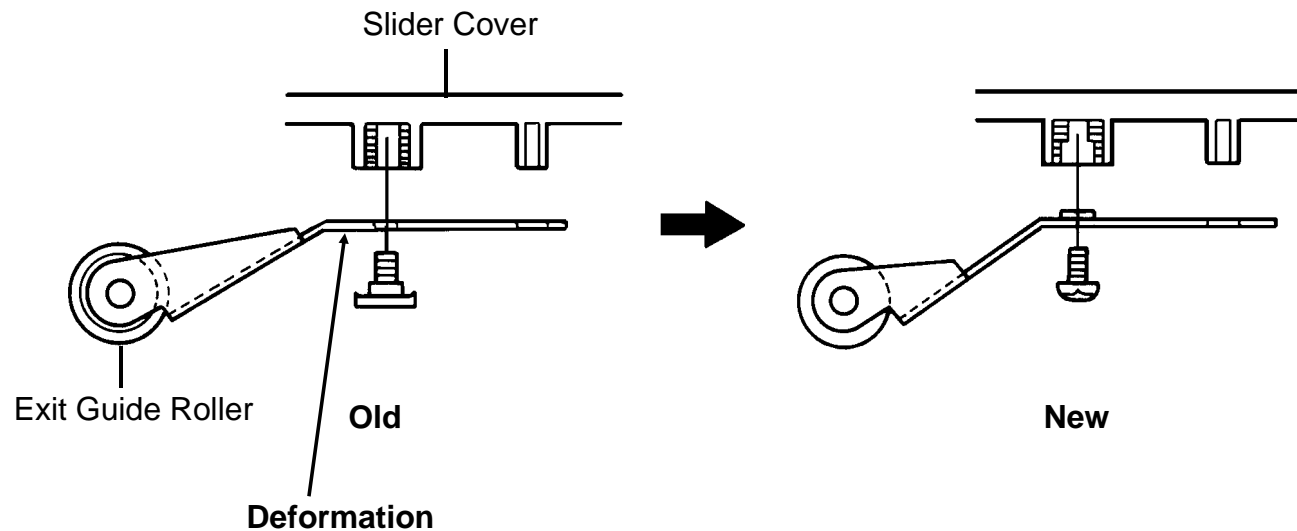
Rank: A : Replace with new parts immediately. B : Replace with new parts at time of repair. C : Replace with new parts at time of overhaul.

Interchangeability:

- (1) When old and new parts are not mutually interchangeable, use additional parts or an assembly part as indicated in "Parts needed for replacement by new part" to install the new part.
- (2) The mark to the left of the slash indicates whether the old part can be used in the new machine, and the mark to the right indicates whether the new part can be used in the old machine. x = Not interchangeable o = Interchangeable

DETAILS OF MODIFICATION

To prevent the exit guide roller from generating the noise due to the deformation of the exit guide roller bracket, the slider cover and exit guide rollers have been changed.



T. Ito, Manager
Copier Technical Support

MODEL NAME	V/Hz	DESTINATION	CODE	SERIAL NUMBER
P.B. D953	115/60	USA, Canada	A499 - 11	201XXXX
SAVIN RDH for 9520	115/60	USA, Canada	A499 - 15	3781100918
NASHUA DH4050	115/60	S. America	A499 - 16	233201XXXX
RICOH DH200	115/60	USA, Canada	A499 - 17	2741100001
NASHUA DH4050	220, 240/50	Europe etc.	A499 - 25	2321120001
INFOTEC DH11	220, 240/50	Europe	A499 - 26	3A31210001
RICOH DH200	220, 240/50	Europe etc.	A499 - 27	2741100181

Model	RDH for F40	Volt/Hz	Date of Modification	Serial Number
Modified Article	Separation Guide, etc.			
Reason for Modification	Parts standardization			

To standardize with other models, the following parts have been changed.

Old P/N	New P/N	Description	Q'ty Used	Inter-change-ability	Parts Catalog	
					Index No.	Page
A4991314		Cushion - 5 x 10 x 20	1 → 0	-----	14	9
A4991126		Separation Guide	2 → 1	O/	3	9
	A3781127	Rear Separation Guide	0 → 1	/O	43 *	9

* : New index no.

T. Ito, Manager
Copier Technical Support

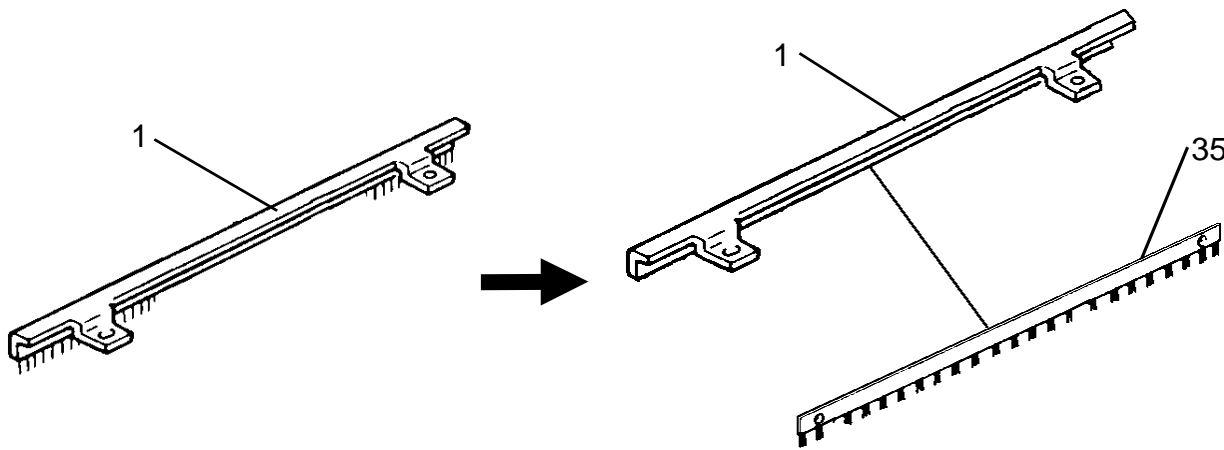
MODEL NAME	V/Hz	DESTINATION	CODE	SERIAL NUMBER
P.B. D953	115/60	USA, Canada	A499 - 11	
SAVIN RDH for 9520	115/60	USA, Canada	A499 - 15	
NASHUA DH4050	115/60	S. America	A499 - 16	
RICOH DH200	115/60	USA, Canada	A499 - 17	
NASHUA DH4050	220, 240/50	Europe etc.	A499 - 25	
INFOTEC DH11	220, 240/50	Europe	A499 - 26	
RICOH DH200	220, 240/50	Europe etc.	A499 - 27	

Model	RDH for F40	Volt/Hz	Date of Modification	Serial Number
Modified Article	Parts Catalog			
Reason for Modification	Parts catalog correction			

Please correct your parts catalog as follows:

	New P/N	Description	Q'ty Used	Parts Catalog	
				Index No.	Page
Incorrect	A4992338	Antistatic Brush Plate	1	1	19
Correct	A4992338	Antistatic Brush Plate	1	1	19
	AA120032	Antistatic Brush	1	* 35	19

* New Index No.



S. Hamano, Assistant General Manager
 Technical Support Department

MODEL NAME	V/Hz	DESTINATION	CODE	SERIAL NUMBER
P.B. D953	115/60	USA, Canada	A499 - 11	
SAVIN RDH for 9520	115/60	USA, Canada	A499 - 15	
NASHUA DH4050	115/60	S. America	A499 - 16	
RICOH DH200	115/60	USA, Canada	A499 - 17	
NASHUA DH4050	220, 240/50	Europe etc.	A499 - 25	
INFOTEC DH11	220, 240/50	Europe	A499 - 26	
RICOH DH200	220, 240/50	Europe etc.	A499 - 27	

Model	RDH for F40	Volt/Hz	Date of Modification	Serial Number
Modified Article	Mylar Seal - Exit			
Reason for Modification	Standardization with other model			

Due to standardization with RDH for F400, " Mylar Seal - Exit " is discontinued.

Note: We have confirmed this mylar is not necessary during the development of RDH for F400.

P/N	Description	Q'ty Used	Parts Catalog	
			Index No.	Page
A4992222	Mylar Seal - Exit	1 → 0	3	17



S. Hamano, Assistant General Manager
 Technical Support Department

MODEL NAME	V/Hz	DESTINATION	CODE	SERIAL NUMBER
P.B. D953	115/60	USA, Canada	A499 - 11	303XXXX
SAVIN RDH for 9520	115/60	USA, Canada	A499 - 15	3783041550
NASHUA DH4050	115/60	S. America	A499 - 16	233304XXXX
RICOH DH200	115/60	USA, Canada	A499 - 17	2743040001
NASHUA DH4050	220, 240/50	Europe etc.	A499 - 25	2323050001
INFOTEC DH11	220, 240/50	Europe	A499 - 26	3A3043XXXX
RICOH DH200	220, 240/50	Europe etc.	A499 - 27	2743040065

Model	RDH for F40	Volt/Hz	Date of Modification	Serial Number
Modified Article	Inner Separation Guide			
Reason for Modification	Due to parts standardization			

Due to parts standardization, the following part has been modified.

Old P/N	New P/N	Description	Q'ty Used	Inter-changeability	Parts Catalog	
					Index No.	Page
A4991224	A3781226	Inner Separation Guide	1 → 1	O/O	8	7

S. Hamano, Assistant General Manager
 Technical Support Department

MODEL NAME	V/Hz	DESTINATION	CODE	SERIAL NUMBER
P.B. D953	115/60	USA, Canada	A499 - 11	
SAVIN RDH for 9520	115/60	USA, Canada	A499 - 15	
NASHUA DH4050	115/60	S. America	A499 - 16	
RICOH DH200	115/60	USA, Canada	A499 - 17	
NASHUA DH4050	220, 240/50	Europe etc.	A499 - 25	
INFOTEC DH11	220, 240/50	Europe	A499 - 26	
RICOH DH200	220, 240/50	Europe etc.	A499 - 27	

Model	RDH for F40	Volt/Hz	Date of Modification	Serial Number
Modified Article	Shaft - Roller Clutch - Z20			
Reason for Modification	To improve durability			

To improve durability, the material of the shaft has been changed.

Old P/N	New P/N	Description	Q'ty Used	Inter-changeability	Parts Catalog	
					Index No.	Page
A4991433	A3781433	Shaft - Roller Clutch - Z20	1 → 0	X/	28	25
		Shaft - Roller Clutch - Z18	0 → 1	/O		

S. Hamano, Assistant General Manager
 Technical Support Department

MODEL NAME	V/Hz	DESTINATION	CODE	SERIAL NUMBER
P.B. D953	115/60	USA, Canada	A499 - 11	
SAVIN RDH for 9520	115/60	USA, Canada	A499 - 15	378407XXXX
NASHUA DH4050	115/60	S. America	A499 - 16	233407XXXX
RICOH DH200	115/60	USA, Canada	A499 - 17	274407XXXX
NASHUA DH4050	220, 240/50	Europe etc.	A499 - 25	2324030001
INFOTEC DH11	220, 240/50	Europe	A499 - 26	3A3074XXXX
RICOH DH200	220, 240/50	Europe etc.	A499 - 27	2744040001

Model	RDH for F40	Volt/Hz	Date of Modification	Serial Number
Modified Article	Shaft - Roller Clutch - Z20			
Reason for Modification	To improve the durability			

To improve the durability, the diameter of fixing screw has been increased from 3mm to 4mm.
 (screw hole diameter of the stud has been also increased)

Old P/N	New P/N	Description	Q'ty Used	Inter-changeability	Parts Catalog	
					Index No.	Page
A4991816	A4991818	Stud - Gear 20Z	1 → 1	X/X	20	7
09513010W		Philips Screw with Flat Washer - M3 x 10	n → n-1	X/	113	7
	09514006W	Philips Screw with Flat Washer - M4 x 6	0 → 1	/X	* 114	7

* New index

S. Hamano, Assistant General Manager
 Technical Support Department

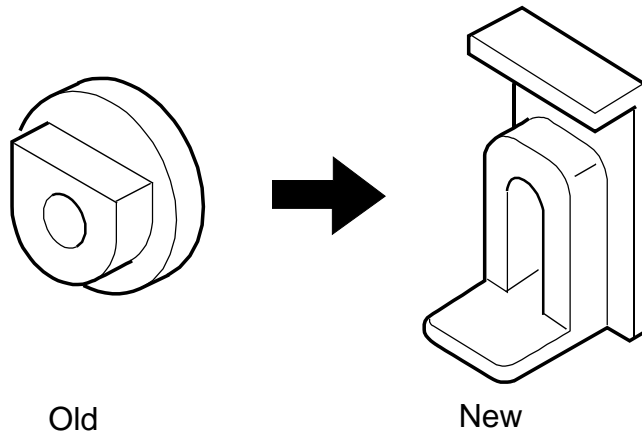
MODEL NAME	V/Hz	DESTINATION	CODE	SERIAL NUMBER
P.B. D953	115/60	USA, Canada	A499 - 11	
SAVIN RDH for 9520	115/60	USA, Canada	A499 - 15	3783051569
NASHUA DH4050	115/60	S. America	A499 - 16	233408XXXX
RICOH DH200	115/60	USA, Canada	A499 - 17	2743050001
NASHUA DH4050	220, 240/50	Europe etc.	A499 - 25	2323050001
INFOTEC DH11	220, 240/50	Europe	A499 - 26	3A3084XXXX
RICOH DH200	220, 240/50	Europe etc.	A499 - 27	2743050106

Model	RDH for F40	Volt/Hz	Date of Modification	Serial Number
Modified Article	Bushing - 4 mm			
Reason for Modification	To improve durability			

Old P/N	New P/N	Description	Q'ty Used	Inter-change-ability	Parts Catalog	
					Index No.	Page
A4991616		Bushing - 4 mm	8 → 2	X/	5	13
	A3781616	Pressure Roller Busing	0 → 6	/O	* 31	13

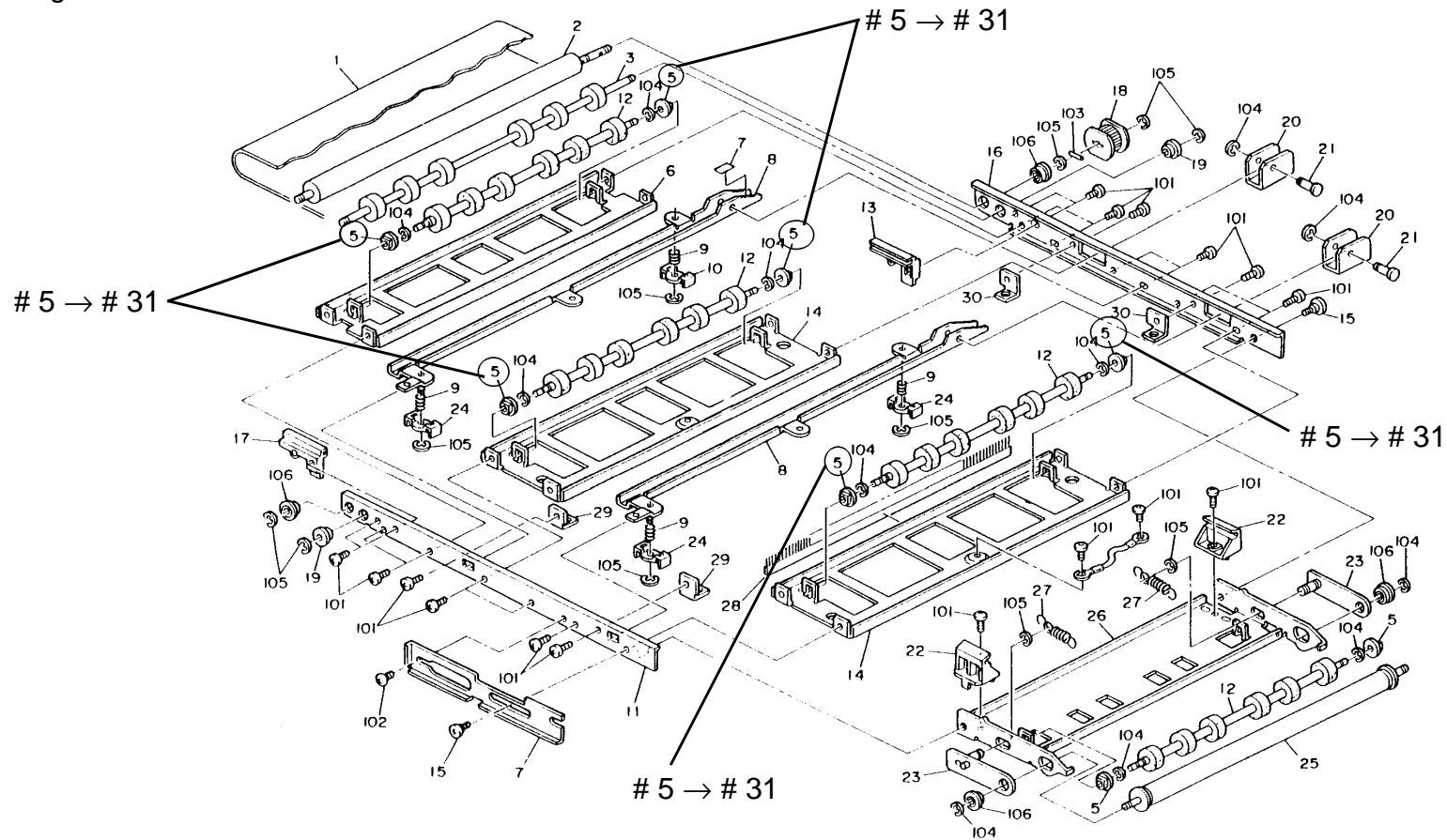
* New Index

To improve durability, the shape of the bushings has been changed as shown.



DETAILS OF MODIFICATION

Page 12



S. Hamano, Assistant General Manager
Technical Support Department

MODEL NAME	V/Hz	DESTINATION	CODE	SERIAL NUMBER
P.B. D953	115/60	USA, Canada	A499 - 11	
SAVIN RDH for 9520	115/60	USA, Canada	A499 - 15	378501XXXX
NASHUA DH4050	115/60	S. America	A499 - 16	233501XXXX
RICOH DH200	115/60	USA, Canada	A499 - 17	274501XXXX
NASHUA DH4050	220, 240/50	Europe etc.	A499 - 25	2324050001
INFOTEC DH11	220, 240/50	Europe	A499 - 26	3A3015XXXX
RICOH DH200	220, 240/50	Europe etc.	A499 - 27	2744040001

Model	RDH for F40	Volt/Hz	Date of Modification	Serial Number
Modified Article	Drive Roller			
Reason for Modification	Parts standardization			

Due to parts standardization with other model, the drive roller has been changed.

Old P/N	New P/N	Description	Q'ty Used	Inter-changeability	Parts Catalog	
					Index No.	Page
AF021020	A3781563	Drive Roller	1 → 1	O/O	25	13

M. Iwasa, Manager
 Technical Support Department

MODEL NAME	V/Hz	DESTINATION	CODE	SERIAL NUMBER
P.B. D953	115/60	USA, Canada	A499 - 11	
SAVIN RDH for 9520	115/60	USA, Canada	A499 - 15	
NASHUA DH4050	115/60	S. America	A499 - 16	
RICOH DH200	115/60	USA, Canada	A499 - 17	
NASHUA DH4050	220, 240/50	Europe etc.	A499 - 25	
INFOTEC DH11	220, 240/50	Europe	A499 - 26	
RICOH DH200	220, 240/50	Europe etc.	A499 - 27	